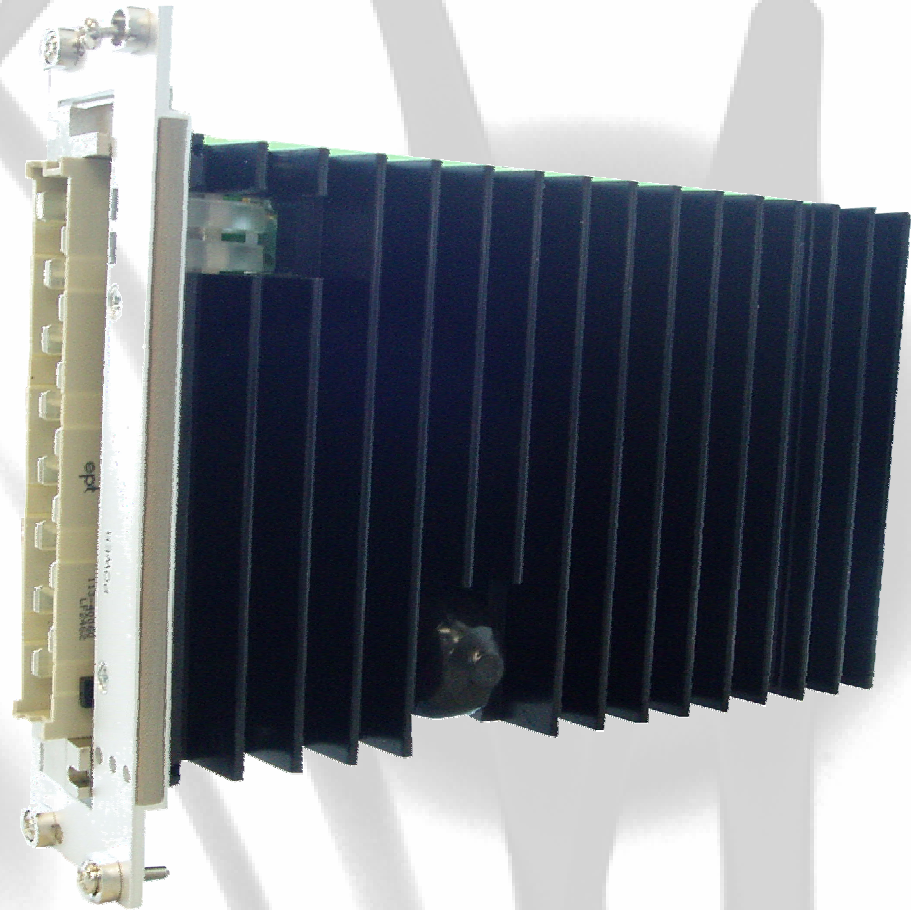


3U 8HP PSUs for 19" systems PU5, PU6

*Rugged 100W
power supply units
for harsh environments*



Overview

Highlights

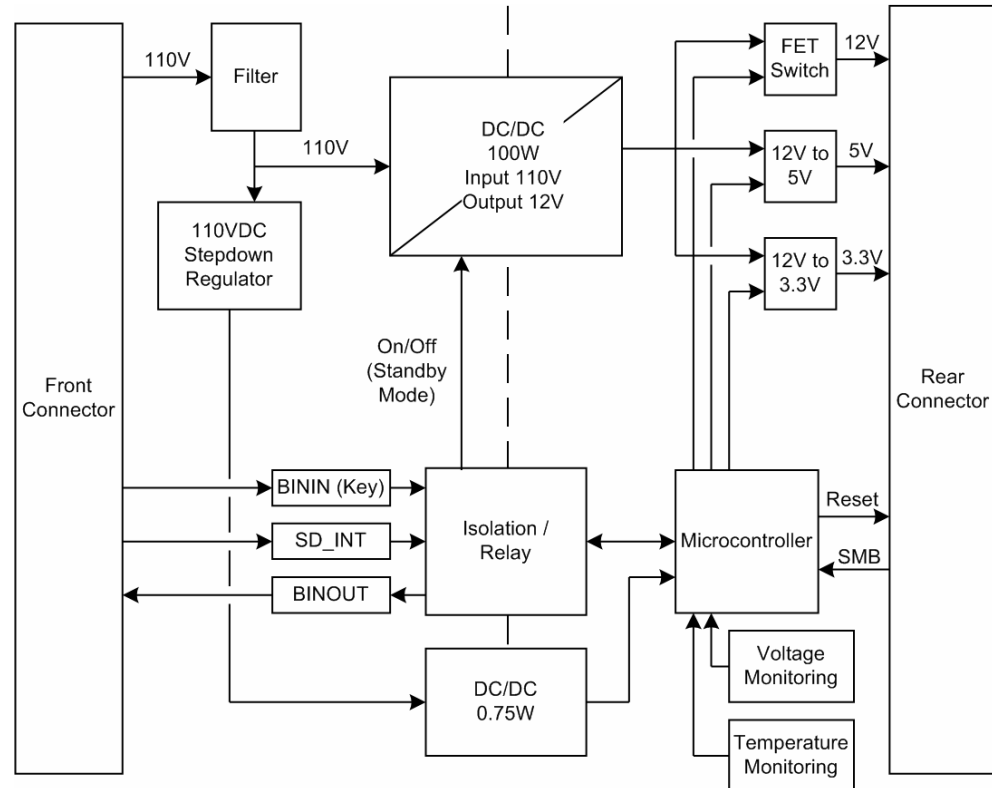
- ◆ Power 100 W
- ◆ Input 24 VDC nom. (PU6) or 110 VDC nom. (PU5)
- ◆ Output 3.3 V, 5 V, 12 V
- ◆ Standby mode (< 1 W)
- ◆ Conformal coating

EN 50155 compliant

- ◆ *Wide input voltage range (PU6 14.4 to 33.6, PU5 66 to 154V)*
- ◆ -40 to +85°C screened (tbc., derating tbd.)
- ◆ Holdup time according to class S2

Technical Data

- ◆ SMBus link to CPU via backplane possible
- ◆ Key input function
- ◆ External I/Os (via SMBus)
- ◆ Status LEDs on front panel (indicate correct input/output voltage)
- ◆ Independent microcontroller power supply for operation during standby mode



Example diagram shown: PU5

Key Features

Microcontroller supervision of

- ◆ I/Os
- ◆ Output voltage
- ◆ Temperature (readable via SMBus)

Communication with CPU as SMBus slave via backplane

- ◆ To power on the system at a programmed date
- ◆ For status polls (e.g., error messages, time-out or on/off)

Mechanics

Dimensions

- ◆ 3U, 8HP

Integrated heat sink

Conformal coating

Input and output via DIN 41612 plug connector

- ◆ Type H15

Options

12HP model with bigger heatsink (no derating) on request

Summary

- ◆ *Rugged products for harsh environments*
- ◆ *EN50155 compliant (incl. wide input voltage range)*
- ◆ *-40 to +85° C ⇒ no cooling necessary!*
- ◆ *Supervision features via Microcontroller / SMBus*
- ◆ *Power-saving standby mode (<1 W)*
- ◆ *Long-term availability*

Thank you for your attention!

Our mission is to provide embedded computing and I/O solutions for demanding industrial applications while maximizing innovation, reliability and flexibility.



As a member of the UN Global Compact Initiative, MEN is committed to follow the principles of human rights, labour, environment and anti-corruption as defined by this organization.